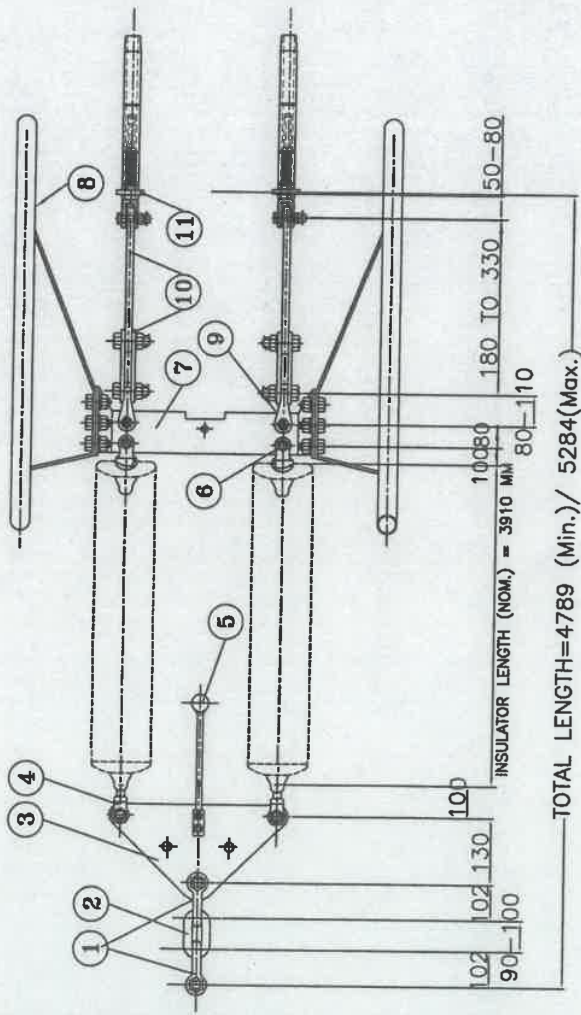


TECHNICAL DETAILS:

- 1) ALL DIMENSIONS ARE IN mm.
- 2) GENERAL TOLERANCES : ±3%.
- 3) ALL FERROUS PARTS HOT DIP GALVANISED & SPRING WASHER ELECTRO GALVANISED AS PER POWERGRID SPECIFICATION.
- 4) ALL DIMENSIONS ARE AFTER GALVANISATION EXCEPT DRILLED HOLES.
- 5) HARDWARE TOLERANCES ON LENGTH ±2%.



**POWER GRID CORPORATION
OF INDIA LIMITED**
(A GOVERNMENT OF INDIA ENTERPRISE)



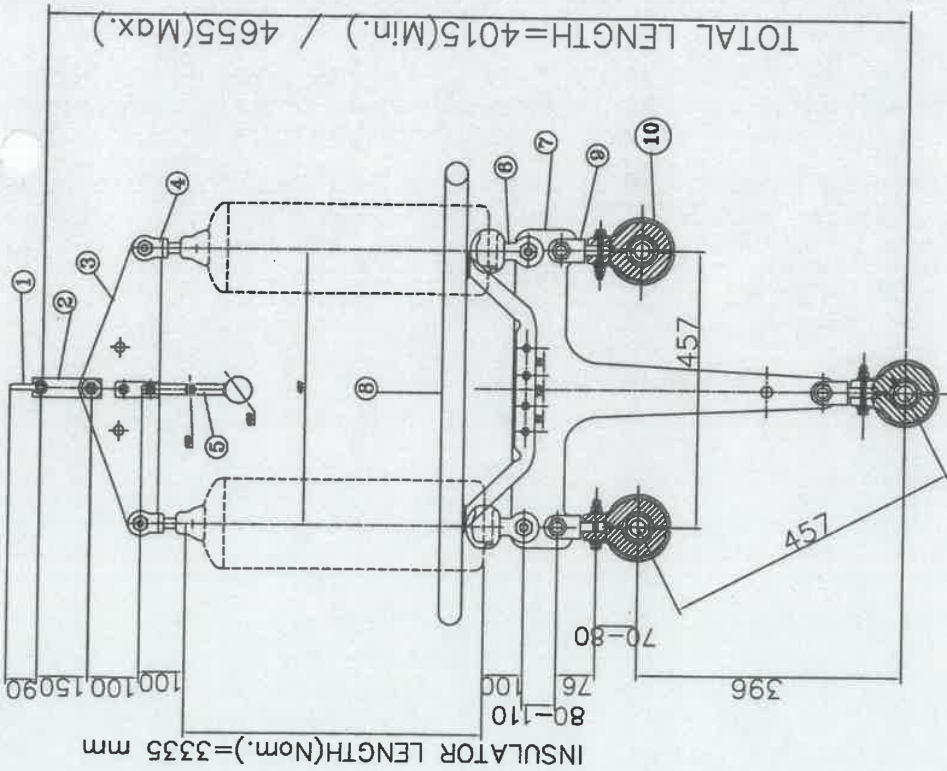
TITLE:- 400 KV DOUBLE TENSION INSULATOR STRING
FOR TWIN MOOSE ACSR CONDUCTOR,
UTS-320 KN

CLEARED BY

SR. GM (ENGG-TL)	CGM (ENGG-TL)	ED (ENGG)
19-11-19	21-11-19	
DATE	MGR. (ENGG-TL)	GM (ENGG-TL)

DRG. NO.:- CC:ENGG:TL/HW/400 KV/TWIN/DT

Sr. No.	DESCRIPTION	PART NO.	UTS	QTY.	REF	DRG: CC: ENGG: TL/HW
11	COMPRESSION DEADEND	CDE-MOOSE	----	2		
10	SAG ADJUSTABLE PLATE	SAP-160-01	160 KN	2 SET		
9	CLEVIS EYE	CE-160-01	160 KN	2		
8	CORONA RING	CR-400-03A	----	2		
7	YOKE PLATE	YP-RT-320-03	320 KN	1		
6	SOCKET CLEVIS	SC-175-01	175 KN	2		
5	ARCING HORN (BALL)	AH-BL-02C	----	1		
4	BALL CLEVIS	BC-175-01A/ BC-175-01B	175 KN	2		
3	YOKE PLATE	YP-TR-350-02	350 KN	1		
2	CHAIN LINK	CL-320-01	320 KN	1		
1	ANCHOR SHACKLE	AS-350-02	350 KN	2		



TECHNICAL TAILS:

- 1) ALL DIMENSIONS ARE IN mm.
- 2) GENERAL TOLERANCES : ±3%.
- 3) ALL FERROUS PARTS HOT DIP GALVANISED & SPRING WASHER ELECTRO GALVANISED AS PER POWERGRID SPECIFICATION.
- 4) ALL DIMENSIONS ARE AFTER GALVANISATION EXCEPT DRILLED HOLES.
- 5) HARDWARE TOLERANCES ON LENGTH ±2%.



**POWER GRID CORPORATION
OF INDIA LIMITED**
(A GOVERNMENT OF INDIA ENTERPRISE)

**TITLE:- 400 KV DOUBLE "I" SUSPENSION INSULATOR
STRING FOR TRIPLE ACSR "SNOWBIRD" CONDUCTOR.**

UTS-240 KN

CLEARED BY

 SR. GM (ENGG-TL)	 CGM (ENGG-TL)	 ED (ENGG)
14.11.19 DATE		

DRG. NO. :- CC:ENGG:TL/HW/400 KV/TRIPLE/DIS

Sr. No.	DESCRIPTION	PART NO.	UTS	QTY.	REF	DRG.	CC:ENGG:TL/HW
10	SUSPENSION CLAMP(A.G.S)	ACS-SNOWBIRD	70 KN	3			ACS-001
9	CLEVIS EYE	CE-90-01	90 KN	3			CE-001
8	CORONA RING	CR-400-02	----	1			CR-001
7	YOKE PLATE	YP-C-T-240-01	240 KN	1			YP-C-T-001
6	SOCKET CLEVIS	SC-120-01	120 KN	2			SC-001
5	ARCING HORN (BALL)	AH-BL-02B	----	2			AHB-001
4	BALL CLEVIS	BC-120-01	120 KN	2			BC-001
3	YOKE PLATE	YP-TR-240-02A	240 KN	1			YP-TR-001
2	Y-STRAP	YS-240-01	240 KN	1			YS-001
1	ANCHOR SHACKLE	AS-240-01	240 KN	1			AS-001

